

You want to go forward? Here is the solution!

**Front 3 point
hitch for
35 to 55 HP
tractors**

New



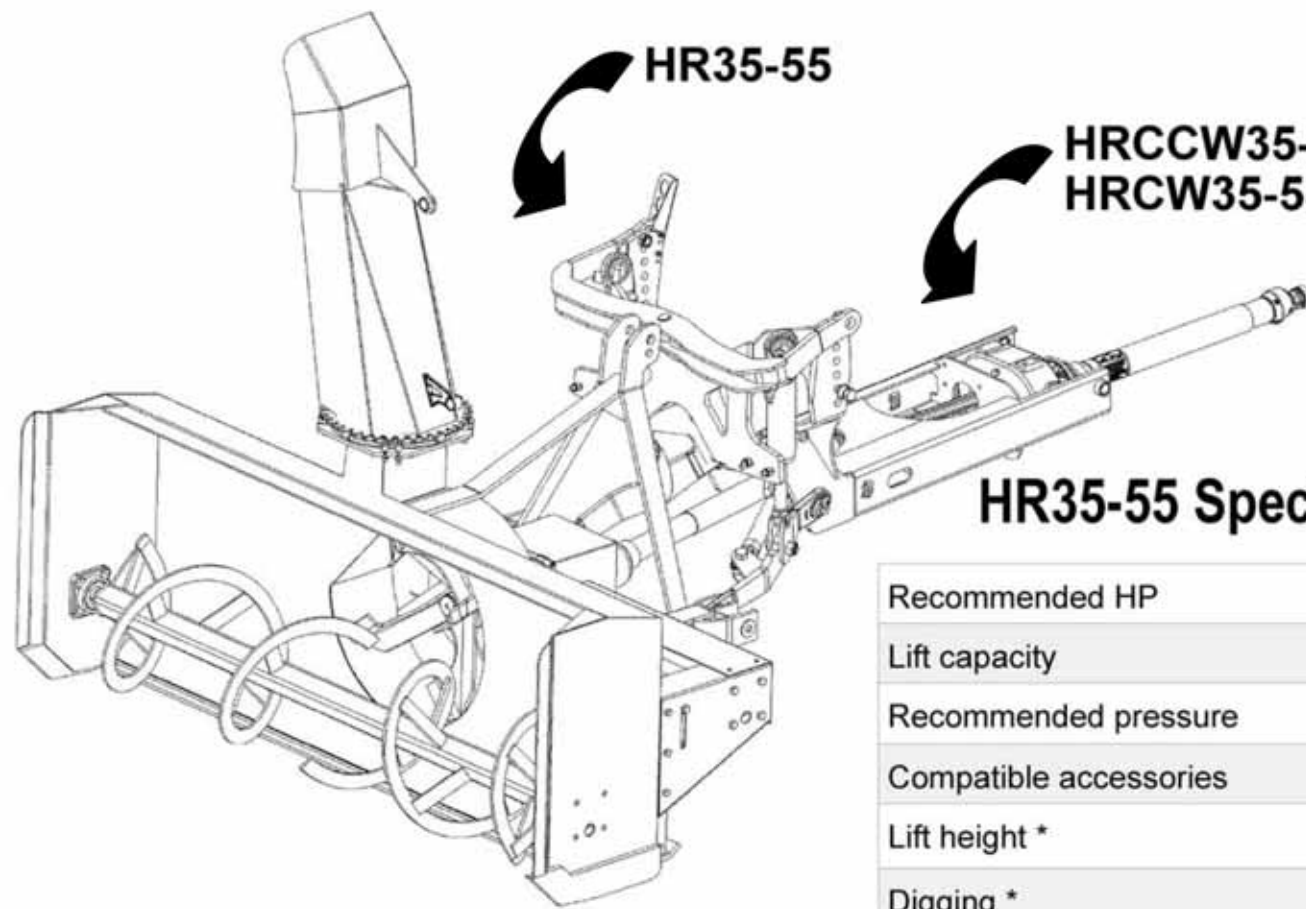
DESCRIPTION

- Front 3 point hitch for 35 to 55HP tractors with mid mount PTO. Available with or without drive system.
- The kit allows you to install a snow blower or other accessories of category 1.
- With its compact and robust design, the front 3 point hitch allows you to place the accessories closer to the front of your tractor which reduces the stress transmitted to the front axle and improves maneuverability.
- The kit has been specially studied to offer an excellent lift capacity without neglecting the heights of lifting and digging. Even with a large range of vertical motion the angle of the PTO remains adequate to preserve the yoke of the driveshaft.
- Our unique synchronized liftarm system also allows the lateral oscillation of the accessory, which allows it to follow the variations of the ground.
- Combined with the Pronovost, Hardy products your kit does not require any change, you will be able to use the drive shaft supplied with your snow blower.
- Available in clockwise rotation or counterclockwise rotation to accomodate different brands of tractors available on the market.



HARDY
Subsidiary of Pronovost

Patent pending



HR35-55 Specifications

Recommended HP	35 to 55 HP
Lift capacity	1500 lbs
Recommended pressure	2800 psi
Compatible accessories	CAT 1
Lift height *	10"
Digging *	7"
Weight (without drive, without mounting frame kit)	325 lbs

* May vary depending on accessory and tractor. Reference only

HRCCW35-55 Specifications (reverser) **

Rotation speed (Input)	2000 to 2200 RPM
Rotation speed (Output)	558 to 614 RPM
Weight	67 lbs

** For tractors with counterclockwise rotation mid mount PTO and accessory requiring a counterclockwise rotation

HRCW35-55 Specifications (without reverser) ***

Rotation speed (Input)	2000 to 2200 RPM
Rotation speed (Output)	600 to 660 RPM
Weight	121 lbs

*** For tractors with clockwise rotation mid mount PTO and accessory requiring a counter clockwise rotation



HARDY
Subsidiary of Pronovost

Hardy Equipment inc.
100, rue St-Arthur, Portneuf
(Québec) Canada G0A 2Y0
Tel. 418-286-6621 Fax: 418-286-3733
1-877-994-2739
info@gohardy.com www.gohardy.com