

FRONT MOUNTED - 3 POINT HITCH FOR SNOWBLOWER



HARDY



LES ÉQUIPEMENTS HARDY INC.

now offers a front mount for snowblowers and

Hardy snow blades. This system is presently

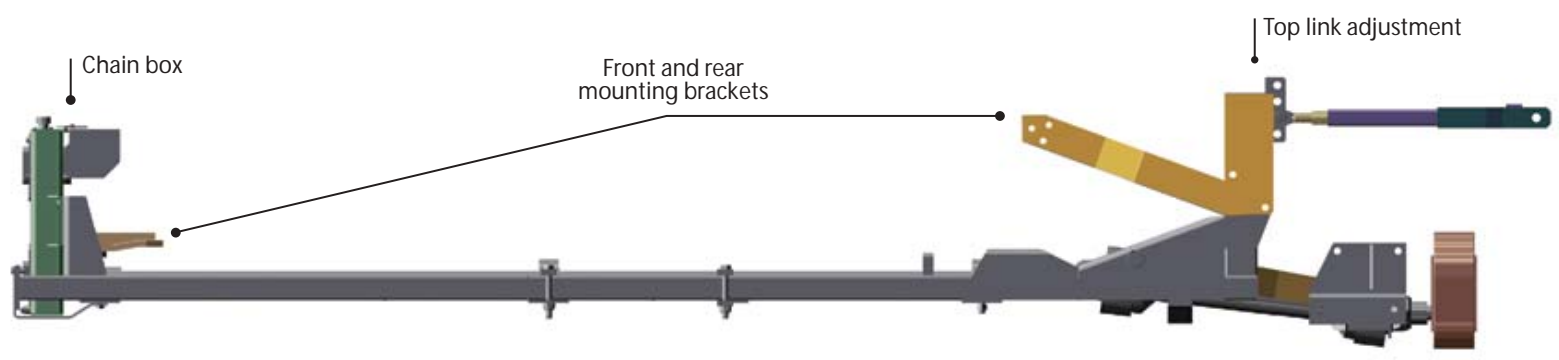
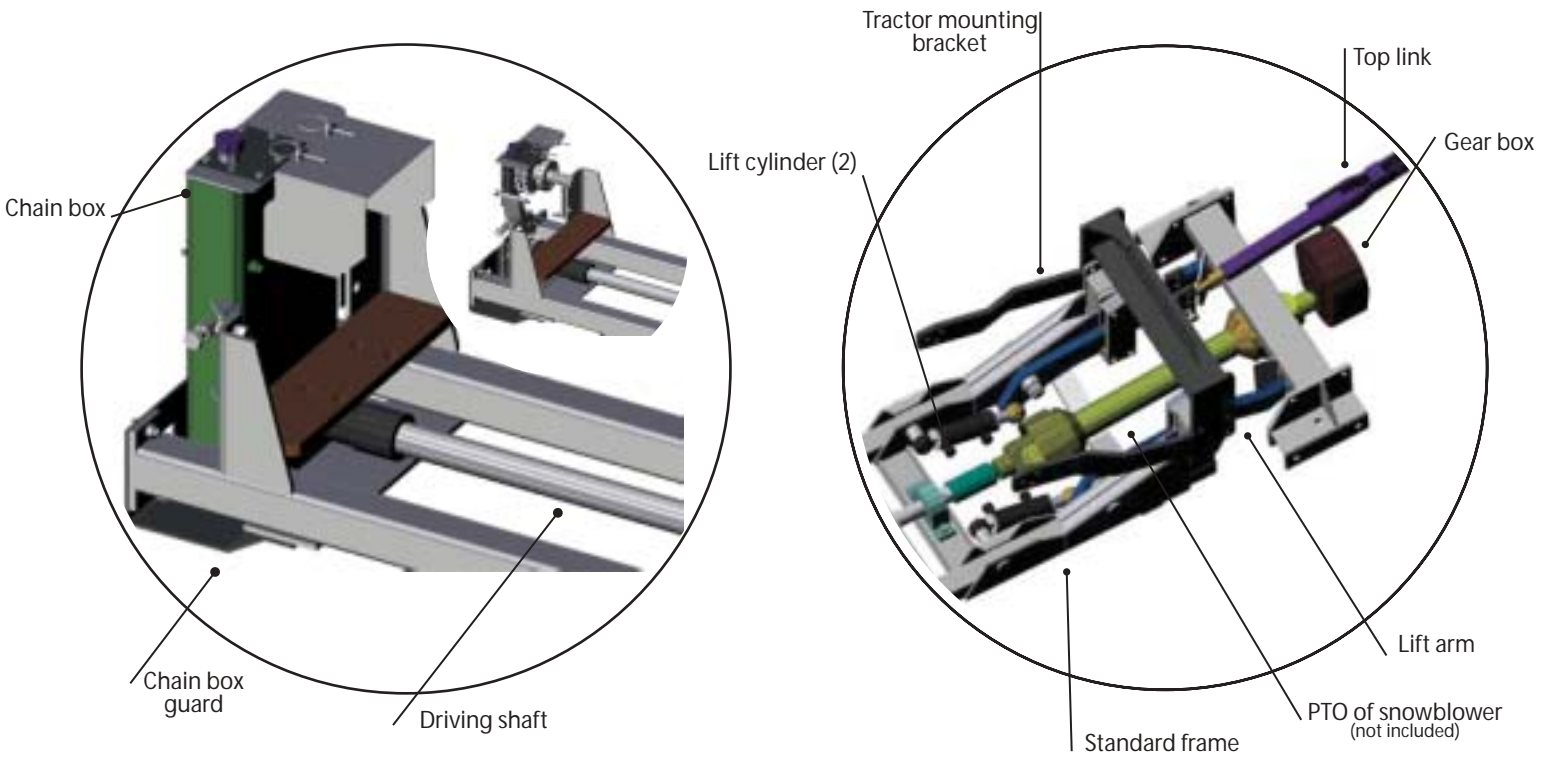
available for tractors from 35 to 150 hp.

THIS SYSTEM OFFERS THE FOLLOWING ADVANTAGES :

- proximity of the blower to the tractor as compared to the competition
- a ground clearance that permits overcoming of obstacles
- a lateral oscillation of the blower which allows to follow unevenness.
- a quick attach system which allows quick installation and removal of the snowblower
- front mount 3 point hitch remains installed when attaching front end loader
- dual action lift cylinders

OPTION :

Valve and hydraulic control for the chute and the rotating drum.



TECHNICAL INFORMATION

(some dimensions may vary from one tractor to another)

Model	35-60 HP	60-100 HP	100-150 HP
Lifting capacity :	2 400 lbs	3 200 lbs	4 000 lbs
Height of the blower in upper position :	10" (25 cm)	11" (28 cm)	13" (33 cm)
Blower digging depth :	4" (10 cm)	5" (12 cm)	6" (15 cm)
Lateral oscillation :	±5°	±5°	±5°
Rotation speed of the tractor :	540 RPM	540 RPM	540 ou 1 000 RPM
Rotation speed of the blower :	540 RPM	540 RPM	540 RPM



100, rue St-Arthur, Notre-Dame-de-Portneuf (Québec) Canada G0A 2Z0
 Tel. : (418) 286-6621 • Fax : (418) 286-3733 info@gohardy.com